

PUSH-TO-RESET SUPPLEMENTARY PROTECTORS

Manufactured in our own ISO 9001 certified facility, Rototech "B" Series push-button supplementary protector offer the peace of mind that comes with reliable circuit protection. They meet the requirements of applicable UL, CSA, and VDE Standards and, with a choice of mounting types, ratings and short circuit withstand current, they offer the versatility you need for your circuit designs.

Electrical Specifications

Voltage Ratings: 125 Vac
 Current Rating: 15A - 20A (see table)
 Short Circuit Withstand Current : 1000A, 2000A (see table)
 Dielectric Strength: 1500VAC
 Overload Capacity: 6X rating
 0.4 - 0.5 power factor
 Calibration: 100% rated load, continuous
 125/135/150% trip

Suitable for motor loading

Approvals

UL Recognized Component Supplementary Protector File E96514
 CSA Certified Appliance Component Protector File LR62896

General Specifications

Bushing types: Screw type, Snap-in type
 Body material: G.P. Phenolic
 Body color: Black, grey

Specification Table

Model Number	Voltage Rating	Current Rating	Short Circuit Withstand Current
B100	125 Vac	15A	1000A
B120	125 Vac	20A	2000A



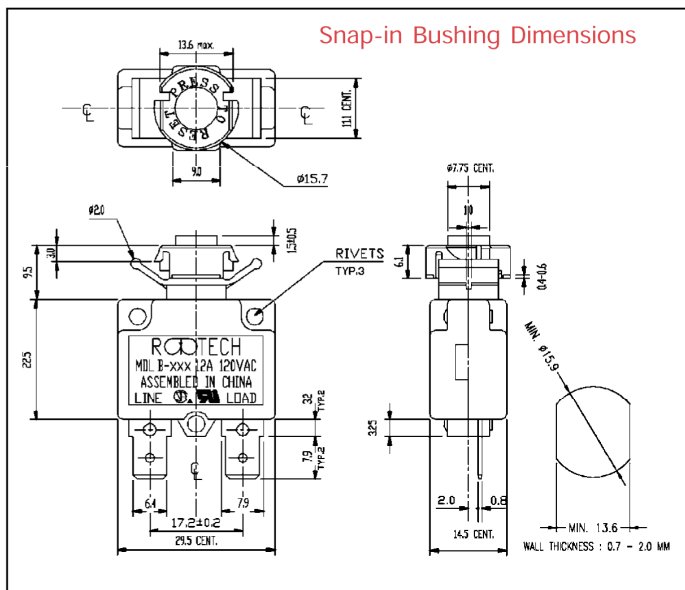
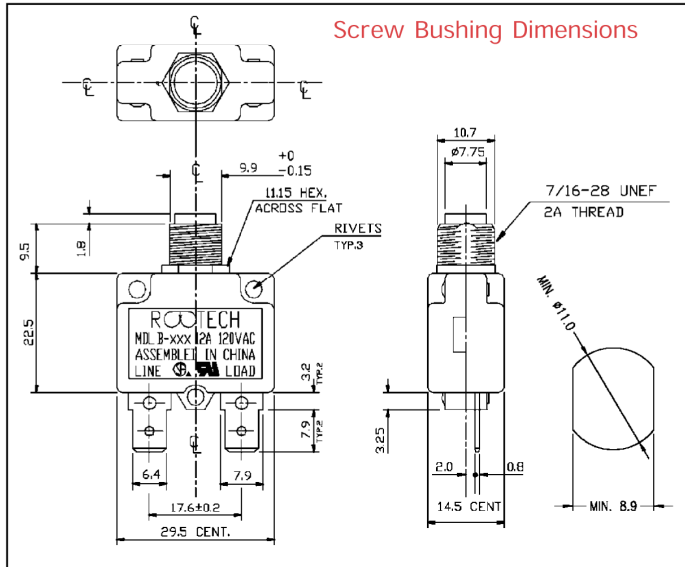
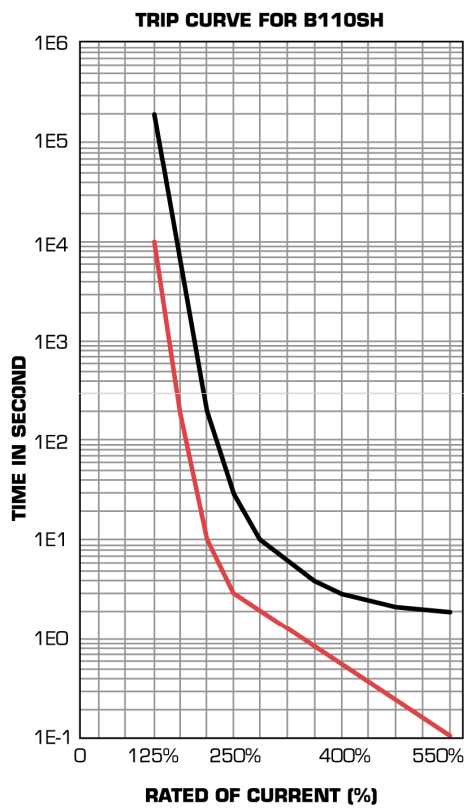
SUPPLEMENTARY PROTECTOR DERATING FACTOR		
Temperature	7A-20A	5A
50°C	X0.80	X0.70
40°C	X0.85	X0.80
25°C	X1.00	X1.00
15°C	X1.10	X1.10

(For Reference Only)

PUSH-TO-RESET SUPPLEMENTARY PROTECTOR

Trip Time Specifications (at 25°C)

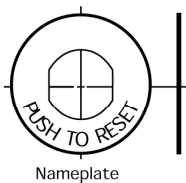
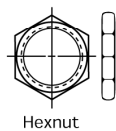
Current Level (% of Rated)	Trip Time
100%	No trip within 2 hours
125%	Less than 1 hour
150%	12 - 300s
200%	3.5 - 21s
300%	0.5 - 6s
400%	0.5 - 3s
500%	0.2 - 2.5s
600%	0.1 - 2s



Part Numbering System

Example: B-100-S-01. (B) Series B, (100) rated at 15A, (S) Screw Type Bushing, (01) Grey

B	-	100	-	s	-	01
Series		Rating		Bushing Type		Push Button Color
Designation		100 - 15A		120 - 20A		



Tel: 317.501.0519

www.rototechgroup.com