

PUSH-TO-RESET CIRCUIT BREAKERS

Manufactured in our own ISO 9001 certified facility, Rototech "B" Series push-button circuit breakers offer the peace of mind that comes with reliable circuit protection. They meet the requirements of applicable UL, CSA, and VDE Standards and, with a choice of mounting types, ratings and interrupt capacities, they offer the versatility you need for your circuit designs.

Electrical Specifications

Voltage Ratings: 125-250 Vac
 Current Rating: 5A - 20A (see table)
 Interrupt Capacity: 1000A, 2000A (see table)
 Dielectric Strength: 1500VAC
 Overload Capacity: 6X rating
 0.4 - 0.5 power factor
 Calibration: 100% rated load, continuous
 125/135/150% trip

Suitable for motor loading

Approvals

UL Recognized Component Supplementary Protector File E96514

CSA Certified Appliance Component Protector File LR62896

VDE Certified Circuit Breaker for Equipment VDE License #118556

General Specifications

Bushing types: Screw type, Snap-in type
 Body material: G.P. Phenolic
 Body color: Black, grey



CIRCUIT BREAKER DERATING FACTOR		
Temperature	7A-20A	5A
50°C	X0.80	X0.70
40°C	X0.85	X0.80
25°C	X1.00	X1.00
15°C	X1.10	X1.10

(For Reference Only)

Specification Table

Model Number	Voltage Rating	Current Rating	Interrupt Capacity
B105	125/250 Vac	5A	1000A
B107	125/250 Vac	7A	1000A
B108	125/250 Vac	8A	2000A
B110	125/250 Vac	10A	2000A
B112	125 Vac	12A	1000A
B114	125 Vac	14A	1000A
B100	125 Vac	15A	1000A
B120	125 Vac	20A	2000A



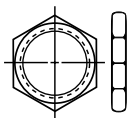
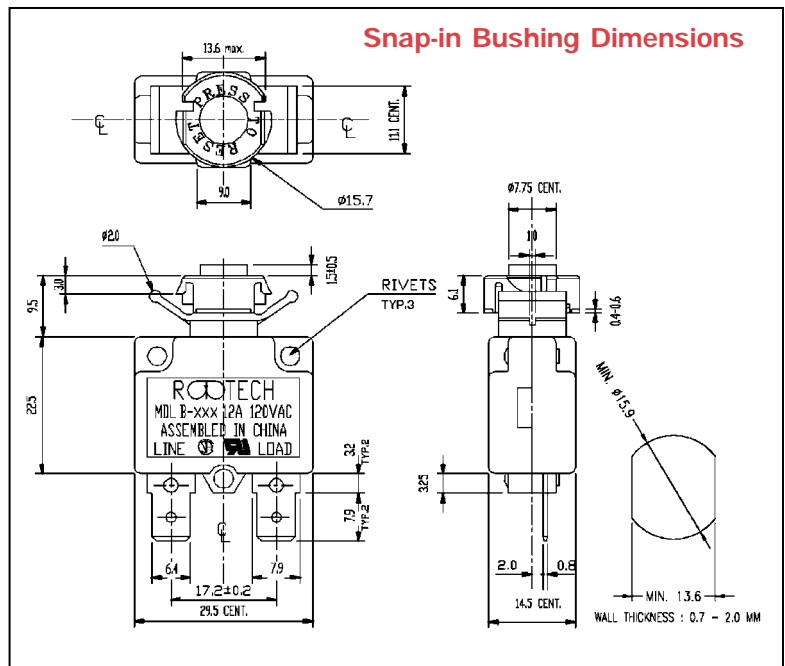
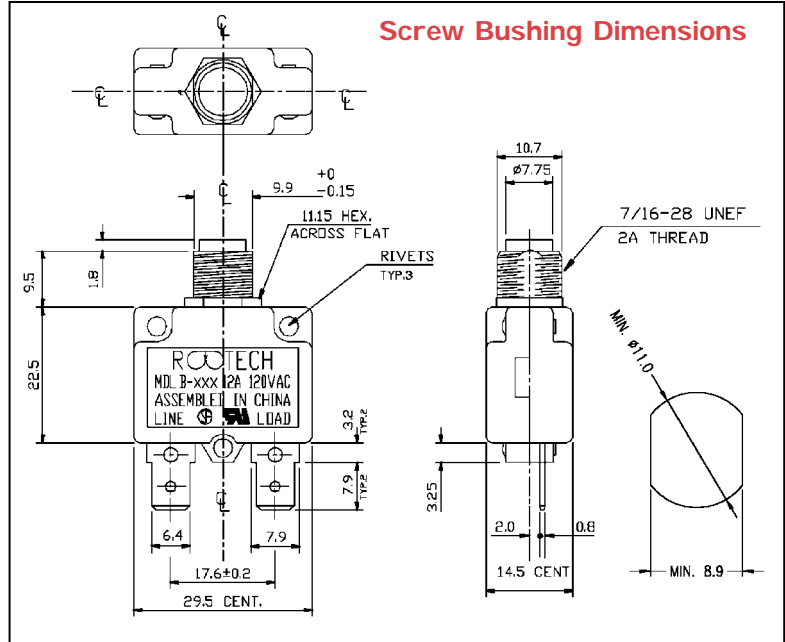
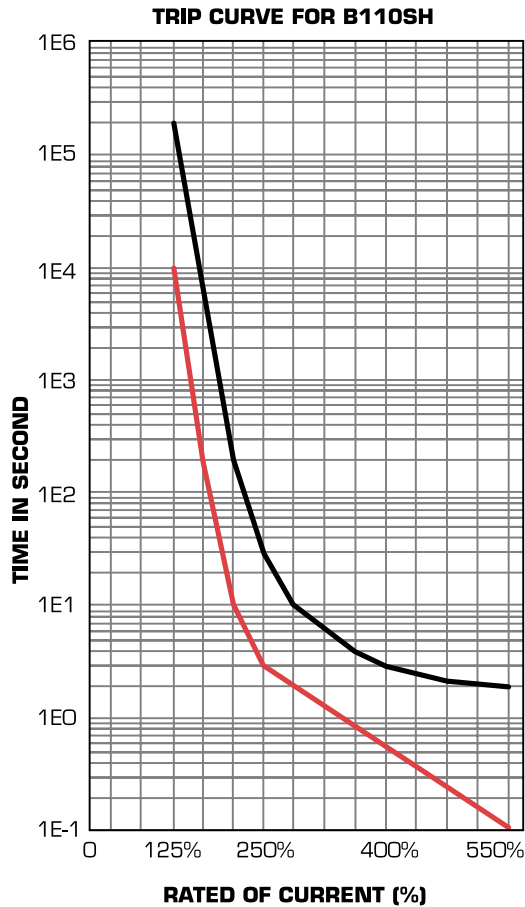
ROTOTECH
G R O U P

Rototech Electrical Components, Inc. • 100 Menlo Park Drive, Suite 310 Edison, NJ 08837
 Tel: 732.321.9328 • Fax: 732.321.9308 • www.rototechgroup.com

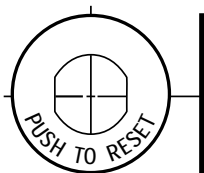
PUSH-TO-RESET CIRCUIT BREAKERS

Trip Time Specifications (at 25°C)

Current Level (% of Rated)	Trip Time
100%	No trip within 2 hours
125%	Less than 1 hour
150%	12 - 300s
200%	3.5 - 21s
300%	0.5 - 6s
400%	0.5 - 3s
500%	0.2 - 2.5s
600%	0.1 - 2s



Hexnut



Nameplate

Part Numbering System

Example: B-100-S-01. (B) Series B, (100) rated at 15A, (S) Screw Type Bushing, (01) Grey

B	-	100	-	s	-	01
Series Designation		Rating		Bushing Type		Push Button Color
		120 - 20A				
		114 - 14A		Blank - screw		Blank - black
		112 - 12A		S - snap-in		01 - gray
		110 - 10A				
		108 - 8A				
		107 - 7A				
		105 - 5A				
		100 - 15A				

